

Elcometer 900

**Concrete Crack
Microscope**

Operating Instructions

elcometer[®] is a registered trademark of Elcometer Instruments Ltd.

© Copyright Elcometer Instruments Ltd. 2004
All other trademarks acknowledged.

All rights reserved. No part of this document may be reproduced, transmitted, transcribed, stored (in a retrieval system or otherwise) or translated into any language, in any form or by any means (electronic, mechanical, magnetic, optical, manual or otherwise) without the prior written permission of Elcometer Instruments Ltd.

CONTENTS

Section	Page
1 About your microscope	2
2 Taking a measurement	3
3 Fitting battery	4
4 Fitting bulb	4
5 Storage	5
6 Specifications	5
7 Related equipment	6

Thank you for your purchase of this Elcometer 900 Concrete Crack Microscope. Welcome to Elcometer.

Elcometer are world leaders in the design, manufacture and supply of inspection equipment for concrete and coatings.

Our concrete products include a comprehensive range of concrete, utilities and civil engineering inspection equipment. Our coatings products cover all aspects of coating inspection, from development through application to post application inspection.

The Elcometer 900 Concrete Crack Microscope is a world beating product. With the purchase of this product you now have access to the worldwide service and support network of Elcometer. For more information visit our website at www.elcometer.com

1 ABOUT YOUR MICROSCOPE

The Elcometer 900 is a very simple gauge designed for measuring the width of cracks in concrete.

The illuminated graduated scale inside the 50x magnification microscope enables the user to quickly determine the crack width by counting the number of graduations.

The microscope is supplied with either a metric scale or with an imperial scale.

1.1 What the box contains

- Elcometer 900 Concrete Crack
Microscope
- Operating instructions

2 TAKING A MEASUREMENT

Referring to Figure 1:

1. Position microscope over crack.
2. Rotate lamp barrel (1) anticlockwise to switch on light.

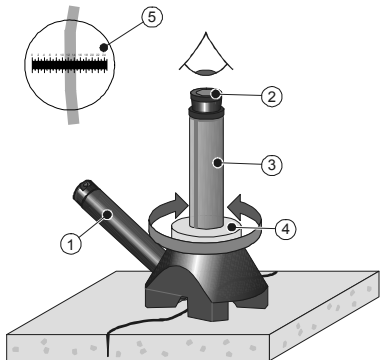
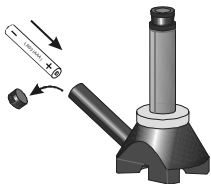


Figure 1. Taking a measurement

3. View crack through eyepiece (2).
4. To focus, hold microscope body (3) and rotate focus ring (4).
5. Use scale visible through eyepiece to measure crack width (5).
6. After measurement, rotate lamp barrel clockwise to switch off light.

3 FITTING BATTERY

1. Unscrew lamp end-cap.
2. Insert 1x LR03 (AAA) alkaline dry battery taking care to ensure correct polarity.
3. Replace lamp end-cap.

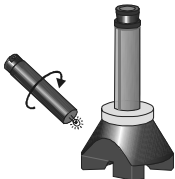


4 FITTING BULB

A replacement bulb is stored inside lamp end-cap.

1. Unscrew lamp end-cap and remove spring and bulb.
2. Replace spring and lamp end-cap.

3. Rotate lamp barrel anticlockwise three complete turns until barrel is released from body of microscope.
4. Pull out bulb and push in replacement bulb.
5. Replace lamp barrel.



5 STORAGE

If the microscope is to remain unused for long periods of time, remove the battery and store it separately. This will prevent damage to the microscope in the event of malfunction of the battery.

6 SPECIFICATIONS

Magnification:	50x
Metric scale:	0 mm to 2.5 mm
Metric resolution:	0.02 mm
Inch scale:	0" to 0.1"
Inch resolution:	0.001"
Battery:	LR03 (AAA)

Alkaline batteries must be disposed of carefully to avoid environmental contamination. Please consult your local environmental authority for information on disposal in your region. **Do not dispose of any batteries in fire.**

The Elcometer 900 is packed in a cardboard and foam package. Please ensure that this packaging is disposed of in an environmentally sensitive manner. Please consult your Local Environmental Authority for further guidance.

7 RELATED EQUIPMENT

Elcometer produces a wide range of surface inspection gauges and concrete inspection equipment. Users of the Elcometer 900 may also benefit from the following Elcometer products:

- Adhesion testers
- Rebar locators
- Concrete covermeters

For further information contact your local Elcometer supplier or visit www.elcometer.com