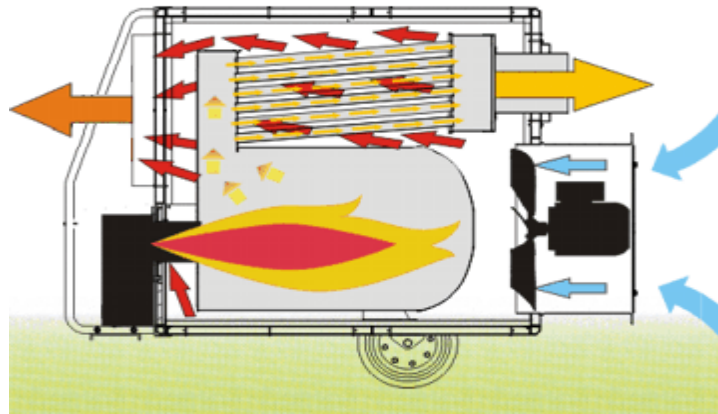


INDIRECT HEATER

BV 691S



FUNCTIONING PRINCIPLES



The unit is heating air that flows through it by combustion chamber and heat exchanger. Supply fuel is burnt in combustion chamber. Flue gas goes through heat exchanger outside to the chimney. Start of the device starts off the burner. After warming up the thermostat starts the fan. Cool air is sucked by fan. After heating air is exhausted outside through outlet panel (one, two or four way). The automatic and safe thermostat (with manual reset) are responsible for safe and correct work of device. In case of too high temperature increase, automatic thermostat cut off the fuel supply to the burner. After that unit is chilled to safe temperature and then starts again. In case of critical temperature the unit is stopped by safe thermostat. Restart is only possible after chilling the unit and after manual reset the safe thermostat. Additionally the fan motor is secured by thermal relay, which protects it against overload. Airbus machines can be operated optionally in heat mode and vent mode (without burner).

TECHNICAL DATA

Max capacity	kW	225	Fuel consumption	kg/h	12,6
	Kcal/h	193 500	Air outlet	mm	4 x 320
	Btu/h	768 000	Fan		axial
Combustible	Oil / Kerosene		Power supply	V	220 - 240
Net weight	kg	380	Frequency	Hz	50
Gross weight	kg	410	Rated current	A	12,6
Noise level	dB(A)	76	Pressure	Pa	250
Air displacement	m ³ /h	12 800			

PACKING

Packaging dimensions	mm	2150 x 840 x 1560
Utilization dimensions	mm	2200 x 985 x 1620
Pieces per pallet	n°	1
Pieces per truck 80m ³	n°	44

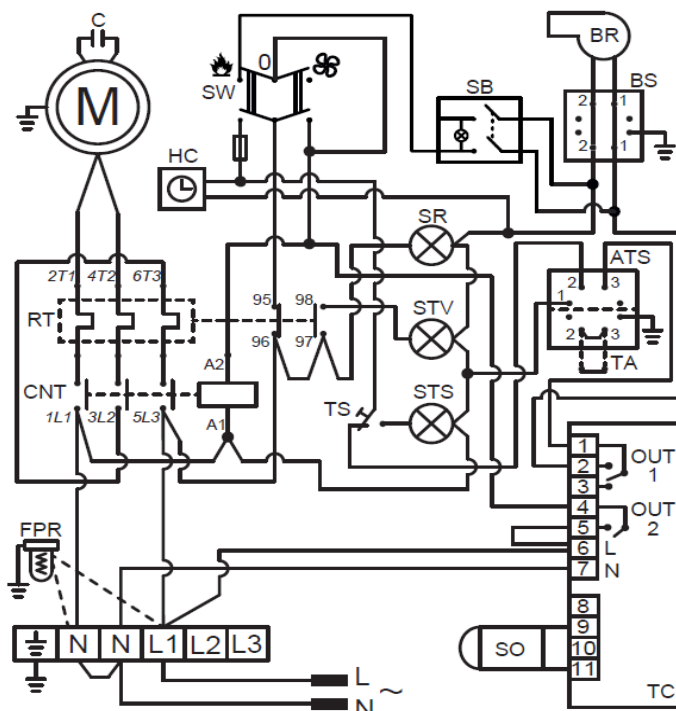
COMPONENTS

Burner	Riello RG4F
Nozzle	4.5 GPH 60° DELAVAN type W
Igniter	electrodes
Fuel filter	60 µm
Motor	asynchronous, monophase, 1400 g/1'
Fan	∅650/27° 7-blades
Room thermostat	predisposed for connection to room thermostat

ACCESSORIES

Room thermostat	thermostat TH5 - THD
Tank	200 l
Air distribution hoses	flexible hoses 7,6 m
Turning wheel	metal-rubber wheel with brake
Twin bends	inlet ∅700mm, outlet 2x ∅500mm
One way air-outlet panel	∅700
Other	Lifter holes, bumpers, chimney recovery, fast fuel conn.

WIRING DIAGRAM



- M - Motor
- C - Capacitor
- CNT - Contactor
- RT - Thermic Relay
- BR - Burner
- TS - Overheat Thermostat
- TA - Ambience Thermostat
- BS - Burner socket
- SB - Ventilation bypass switch
- TC - Thermo controller
- SO - Temperature sensor
- SW - Switch
- SR - Electric supply Led
- STV - Fan lokout Led
- STS - Overheat Thermostat Led
- ATS - Ambience Thermostat socket
- FPR - Preheated oil Filter
- HC - Hours counter